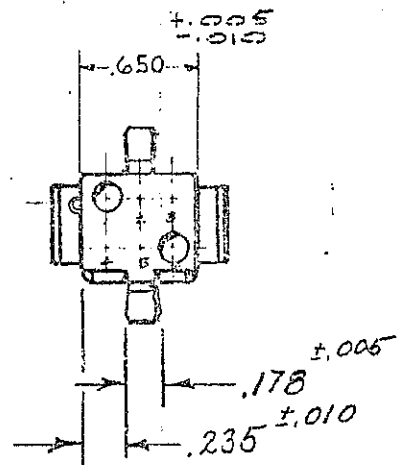
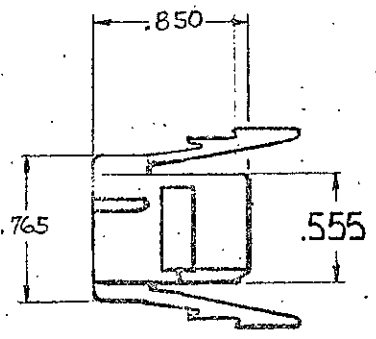
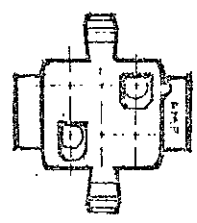



PART NUMBER
480273



HOUSING N°	COLOR
1-480273-0	NATURAL

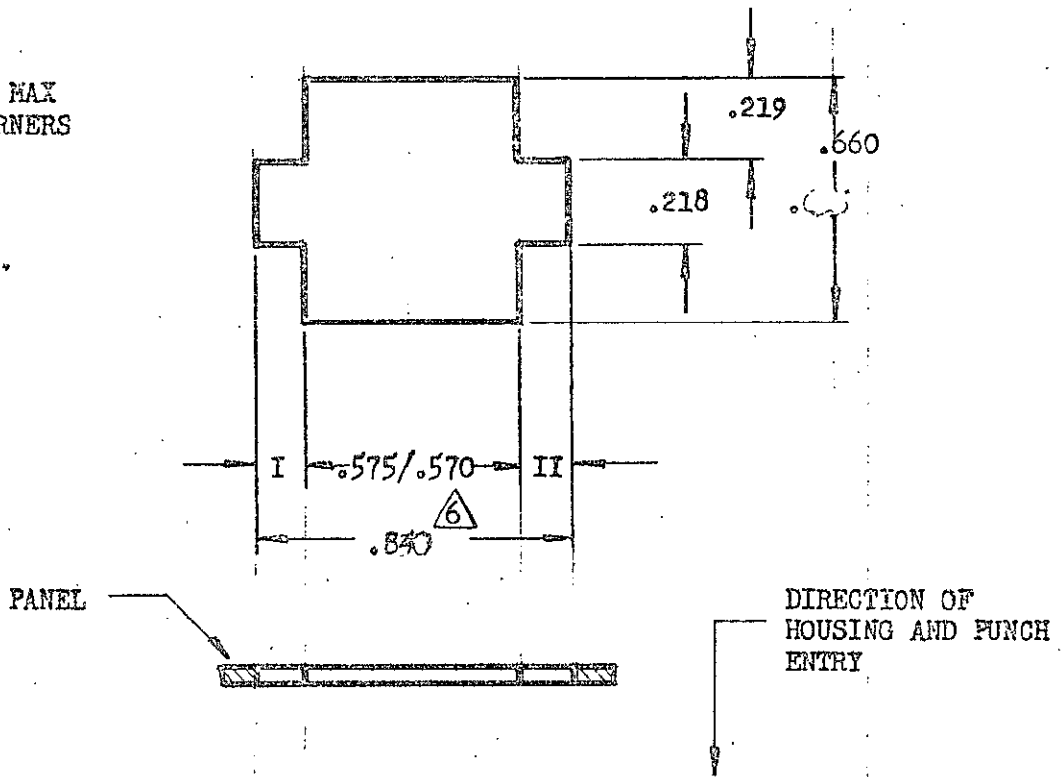
- NOTE -
 1- TO BE USED WITH MATE-N-LOK SOCKETS.
 2- TO BE USED WITH CAP HOUSING 480276.
 3- SEE SHEET III FOR MOUNTING INFORMATION.

DIMENSIONS IN INCHES. DO NOT SCALE PRINT.

REV PER	0618-006-91	KW	6-4-99	©1969 BY AMP INCORPORATED. ALL RIGHTS RESERVED. AMP PRODUCTS COVERED BY PATENTS AND/OR PATENTS PENDING.	CUSTOMER COPY REFERENCE ONLY			
AH	REV PER EC 0730-0155-95	JH RS	1-1996	MATERIAL				
AG	REV PER EC 0730-0164-94	RV RS	8/29/94	NYLON	 AMP INCORPORATED HARRISBURG, PENNA.			
AF	OBS 1-6 PER CM 2708	TB RS	1/11/93			CLASS		
AE	REVISED PER CM-2594	PKC RS	5-10-92	WIRE — RANGE — INSULATION TYPE	.086 Socket Housing			
AD	OBS. 1-2 PER CM-890	PH RS	11-24-87	TOLEANCE EXCEPT SCALE	PANEL MOUNT			
LTR	REVISION RECORD	DR	CHK	DATE	LOC	NO	REV	
PRINT	C.R. STOVER 11/4	PE	R. Williams	11-10-91	1:1	CM/A	480273	AJ
CHK	10/20/94	APP	4/21/96	11/1/94	NAME: 6 CIRCUIT MATE-N-LOK PLUG			

SHEET 3 OF 3
NUMBER 480273

.015 R MAX
ALL CORNERS



- NOTE: 1. Recommended panel thickness .025 - .025.
2. Both locking legs to be squeezed together and housing to be inserted straight-in, as opposed to a rocking manner of insertion.
3. The panel must be punched so that the housing enters the panel in the same direction as the punch.
4. Dimensions I and II to be equal within .005.
5. Panel must not have any material (paint, porcelain, etc.) applied in the mounting hole area that would decrease retention of the housing in the panel.
- ⚠️ If Notes 3 and/or 5 are not complied with, the .840 dimension should be reduced to .820 to assure proper housing retention in the panel.

DIMENSIONS IN INCHES. DO NOT SCALE PRINT.

©1972 BY AMP INCORPORATED, ALL RIGHTS RESERVED. AMP PRODUCTS COVERED BY PATENTS AND/OR PATENTS PENDING MATERIAL AND FINISH

CUSTOMER COPY
REFERENCE ONLY



AMP INCORPORATED
HARRISBURG, PENNA.

CLASS _____

WIRE — RANGE — INSULATION

TYPE _____

TOLERANCE EXCEPT AS NOTED
± .003 ± 1° 0'

SCALE

LOC

QU

CM A 480273 1A

NAME

RECOMMENDED MOUNTING INFORMATION

6 CIRCUIT MATE-N-LOK PANEL MOUNT PLUG

53	CHK Thumble 7-26-72	APP Thumble 7-26-72	DR DAYTON HOLMES 7-20-72	REVISION RECORD	ECN	DATE
A	REVISED PER M-3559	pkp	1-6-76			